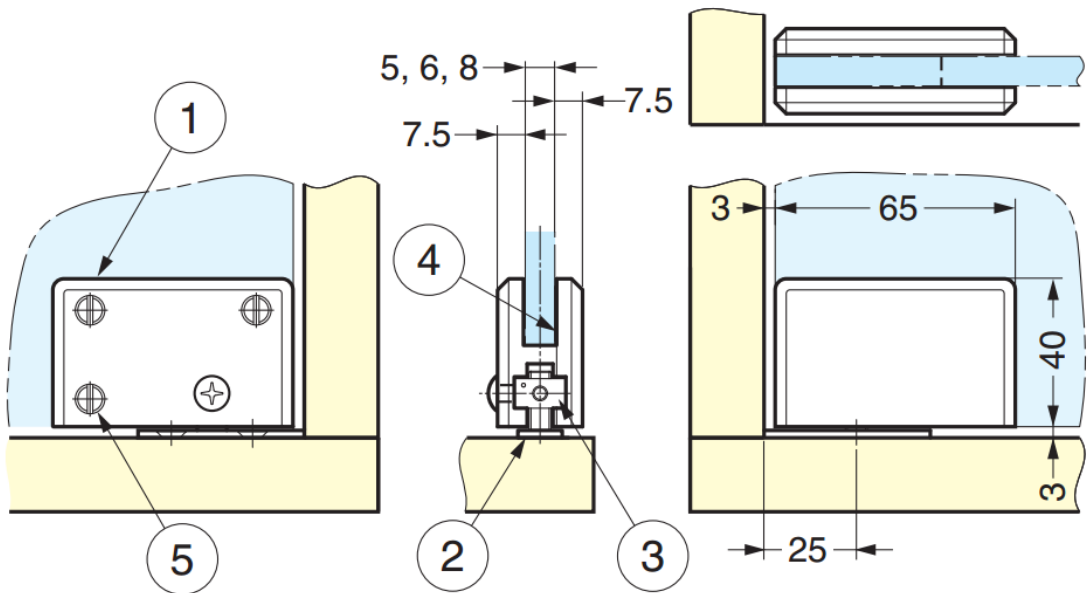
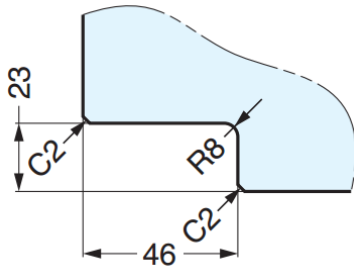


GXL-GC04-CR Glass Inset Pivot Hinge

Features

- Inset-type hinge for glass cabinet
- 1 pair (top / bottom) per set



No.	Part Name	Material	Finish/Colour
①	Body	Zinc Alloy (ZDC)	Chrome
②	Bottom Plate	Steel	Chrome
③	Plate	Stainless Steel (SUS304)	Plain
④	Spacer	Polyvinyl Chloride Resin (PVC)	Clear
⑤	Screw	Stainless Steel (SUS304)	Plain

Part No.	Door Width	Door Height	Glass Thickness	Door Weight
GXL-GC04-CR	Max. 500	Max. 1200	5, 6, 8	Max. 12 kg / set